



FPS

Branded quality at the best price

FPS. Branded quality at the best price

FPS provides an excellent and decent level of security and reliable comfort. FPS is ideally suited for small master key systems with a clear structure. Why opt for a master key system? Access all doors using only a single key – main entrance, front door, basement, letter box. The FPS key is also available as design key in various colours.



FPS benefits at a glance

- › One key fits all
 - › For master key system with a simple structure
 - › Branded quality
 - › Patent protection until 2027
-

The access system for simply structured master key systems

FPS is ideal for small master key systems and clearly defined user groups. For instance on doors within residential complexes or office buildings. In cooperation with qualified partners, EVVA has been providing security technology for a hundred years.



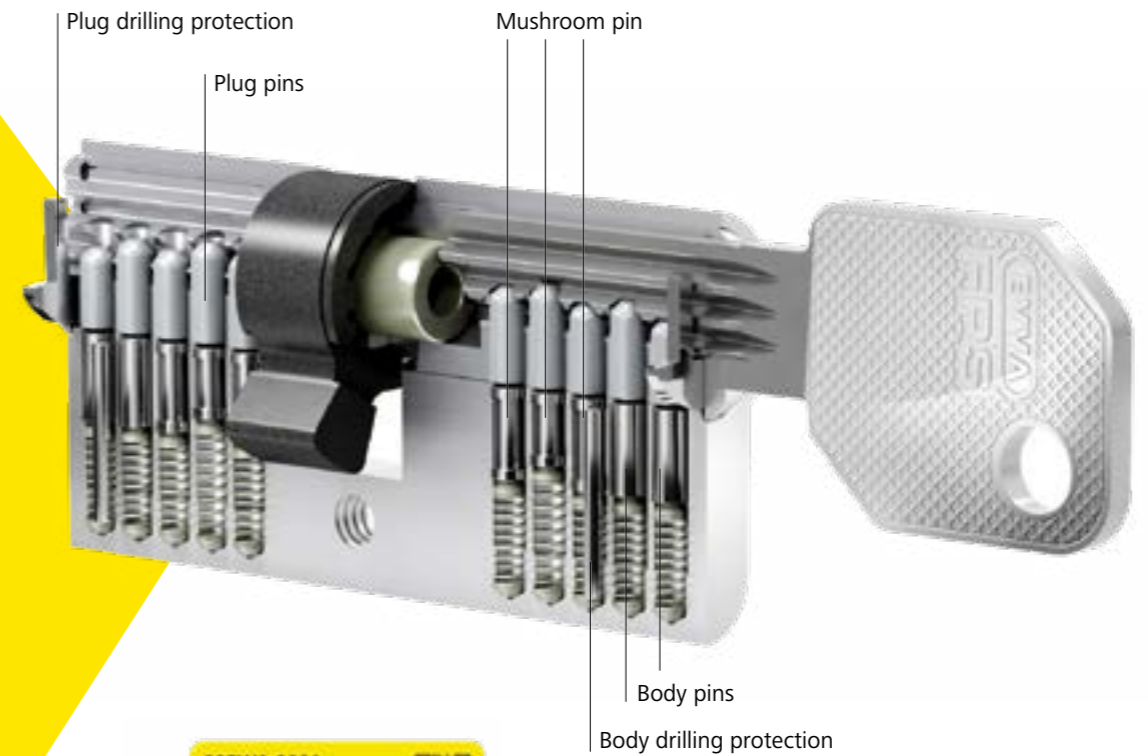
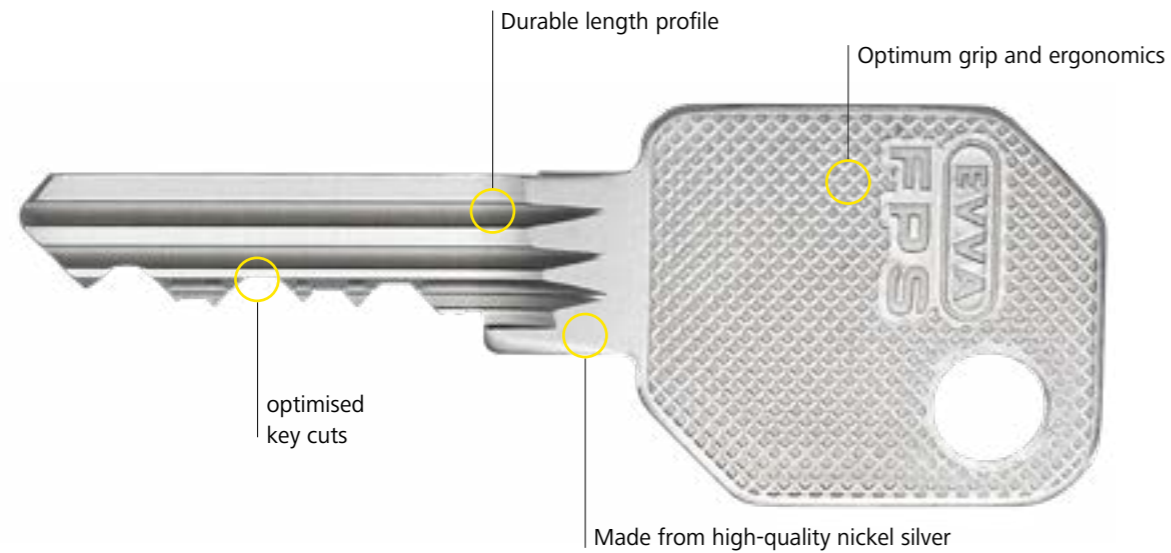
Zuidzicht | BE



OC LETMO | CZ

FPS. One system, many details

FPS features a spring-loaded pin tumbler system with 5 or 6 active, spring-loaded scanning elements. FPS keys are strong, wear-resistant and durable, nickel silver keys. The authorisation features on FPS keys are verified on two security levels in the cylinder lock. FPS cylinders are exclusively manufactured in compact design.



All-round protection:

Copy keys, additional cylinder and lock charts are available from authorised EVVA Partners but only with corresponding proof of legitimacy, the EVVA security card.

Benefit from the security features

The reliable FPS cylinder technology offers lasting protection against illegal opening methods:



Drilling protection



Plug pulling protection



Practical, handy and appealing.

Optionally, FPS keys are available in a range of colours. The colour coding helps to easily distinguish between keys.



FPS. Plan view

Due to their features and numerous variants and options, FPS cylinder locks can handle all access situations which a master key system may meet.

Thus, access to rooms and storeys, access to cabinets and showcases or the activation of barriers or other electronic equipment can be clearly structured. This means even more comfort and more security.



Half cylinder

fits into barriers, key switches, lifts and many other situations.



Furniture cylinders

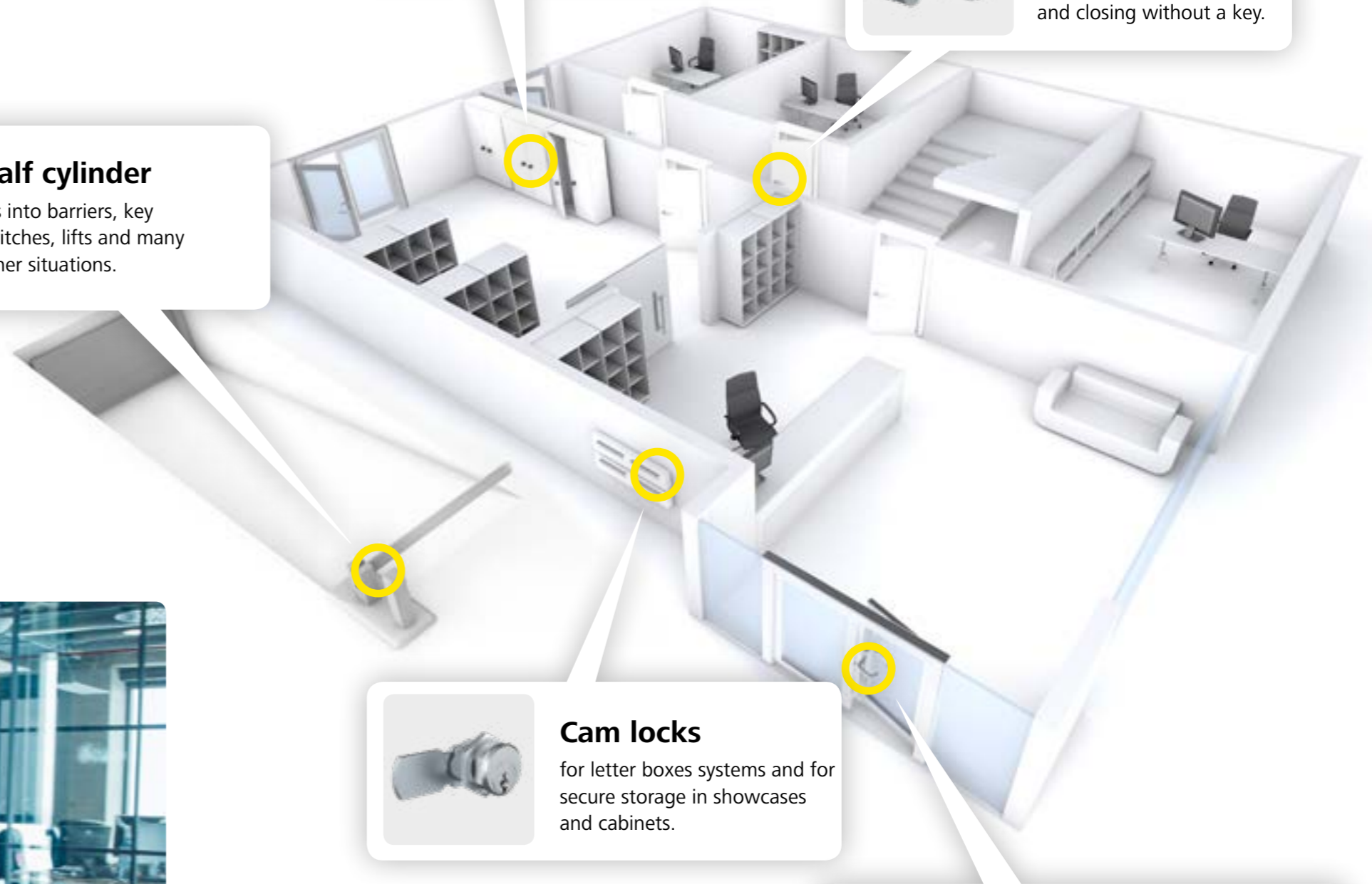
ensure secure storage of important documents.



Thumb turn cylinders

allow comfortable opening and closing without a key.

The right cylinder for every situation



Cam locks

for letter boxes systems and for secure storage in showcases and cabinets.



Double cylinder

are suitable for indoor and outdoor use and can be configured with a number of variants and options.

FPS. Master key systems and structure

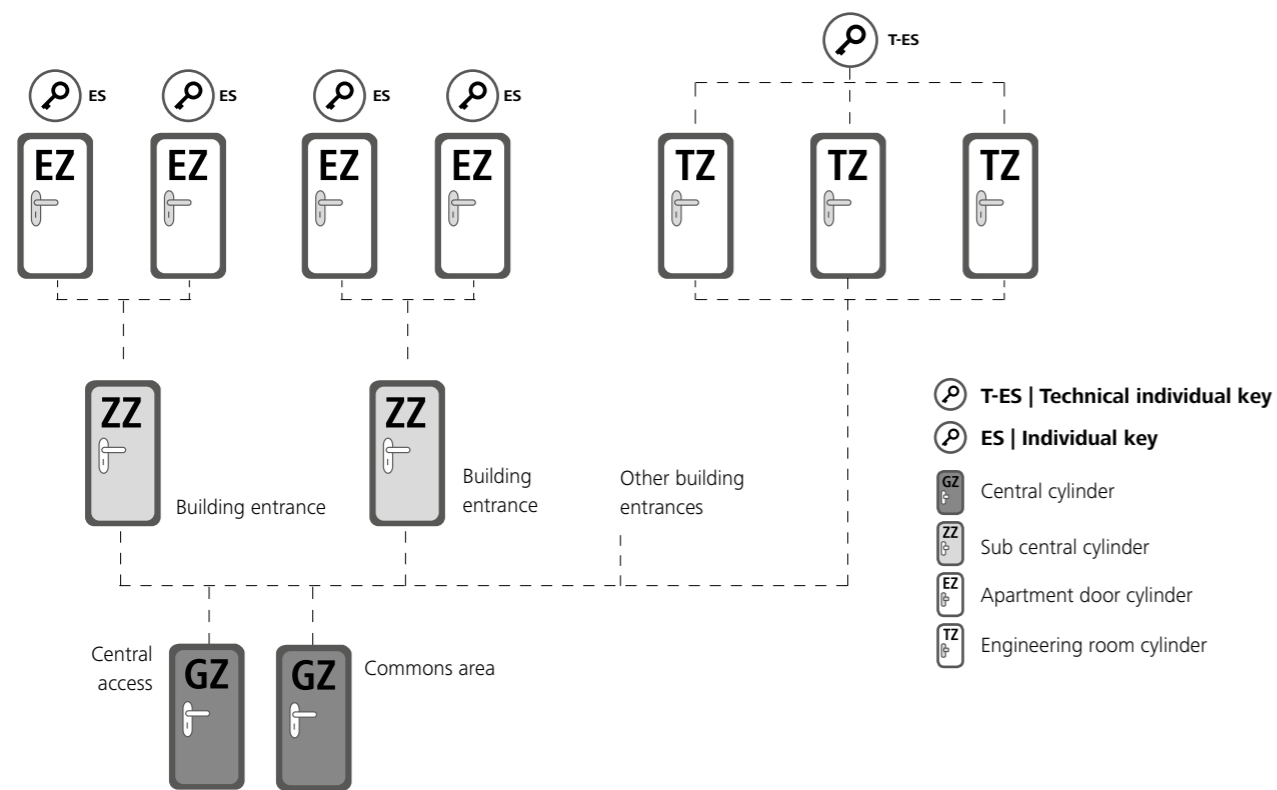
EVVA and its project partners have been creating and developing lock charts since almost 100 years, using their extensive know-how to achieve great success.

FPS is ideal for small master key systems and a clearly defined user group. For instance within a residential complex or inside office buildings. Master key system extensions should already be taken into account during planning.



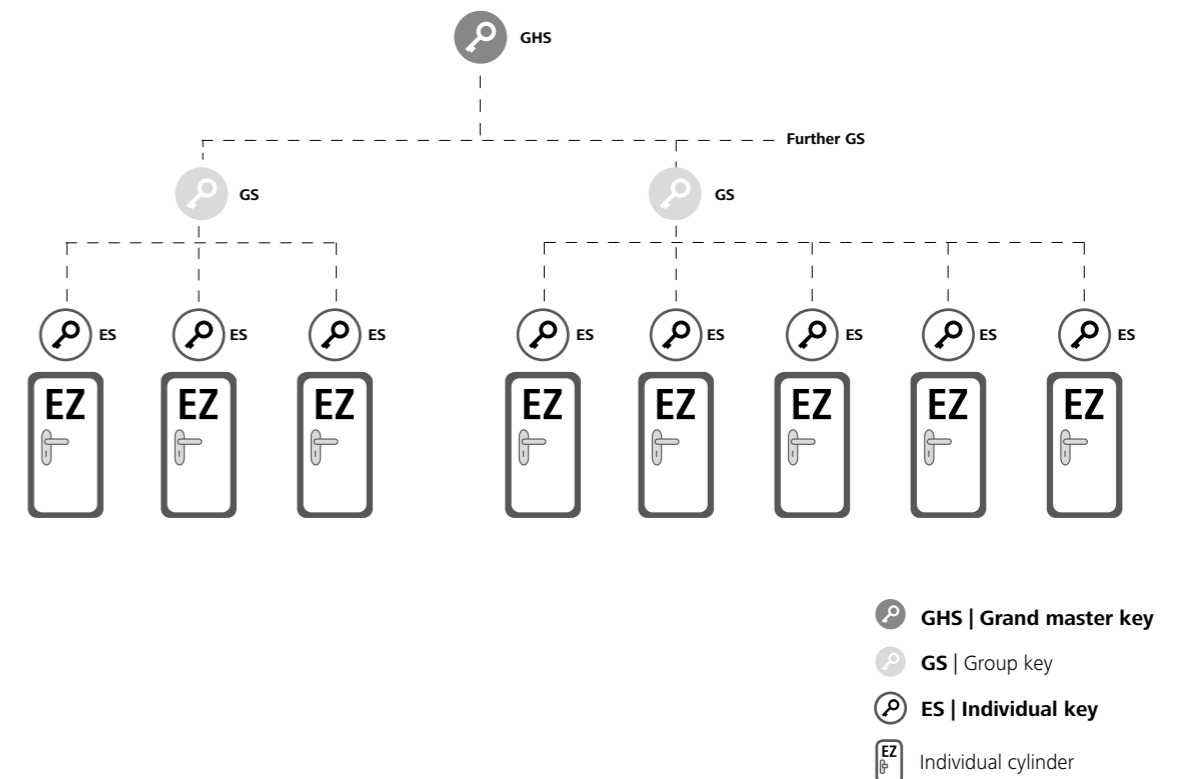
Example of a residential complex

In this master key system, tenants can lock their own doors, entrances and common areas with just one key. There are individual keys for engineering rooms. For apartment cylinders, future master key system extensions are taken into account. If an individual key (ES) is lost, it can be replaced by a new individual key, which again locks all the central cylinders and Sub central cylinders.



Example business building

In a simply structured grand master key system, e.g. a business building, employees can only lock their doors, cabinets, etc. while the CEO can lock everything with the GHS key.



Unique EVVA service

Since 1919, EVVA services have been geared towards customer benefits. This has resulted in products adapted to the market, the best product and consulting service for customers and partners as well as a locking system expertise that boosts customer convenience and gives operators a competitive, economic edge.



Master key systems from professionals

Master key systems define who has access to which facilities. EVVA provides comprehensive expertise in planning master key systems and electronic access control systems. The company's range also includes the calculation of high-performance locking systems with complex authorisation structures.



Your EVVA Partner portal

Our Partner portal provides everything you as EVVA Partners need as part of your everyday activities: price lists, catalogues, data sheets and the option to sign up to training sessions.



Mechanical and electronic systems

EVVA is one of the leading manufacturers that develops and produces electronic and mechanical locking systems in Vienna. EVVA's electronic and mechanical products can be combined in locking systems around the world depending on customer demands.



Excellent advice

EVVA is your reliable partner. Be it for technical queries concerning EVVA products or planning issues regarding a project, you can always count on EVVA.

Innovation made in Austria

Trust a family-owned business that has been researching, developing and producing for 100 years and operates in a respectful and cooperative way. EVVA – Leading European manufacturer in mechanical and electronic locking systems!

www.evva.com

┌

┐

┌ Handed over by

┐